

# MICROWAVE OVEN



Focal Point Fires plc.  
Christchurch, Dorset BH23 2BT  
Tel: 01202 499330  
Fax: 01202 499326  
www.focalpointfires.co.uk  
e : sales@focalpointfires.co.uk

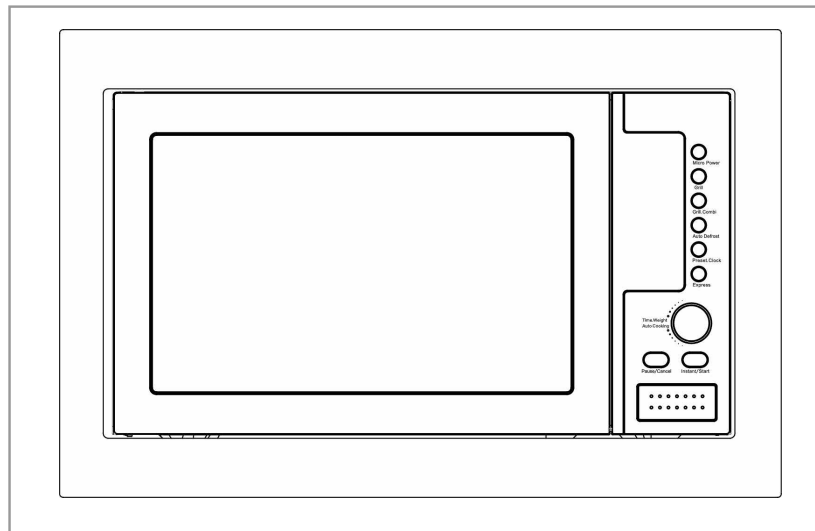
## Owner's Instructions

### MODELS COVERED BY THESE INSTRUCTIONS

**VT-25UG16-I MICROWAVE OVEN**



BS7977-1 : 2009  
KM579168



**VT-25UG16-I**

Please note: Except where otherwise stated, all rights, including copyright in the text, images and layout of this booklet is owned by Focal Point Fires plc. You are not permitted to copy or adapt any of the content without the prior written permission of Focal Point Fires plc.

**All instructions must be handed to the user for safekeeping.**

Revision A - 02/13

© 2013 Focal Point Fires plc.

# INSTALLATION INSTRUCTIONS

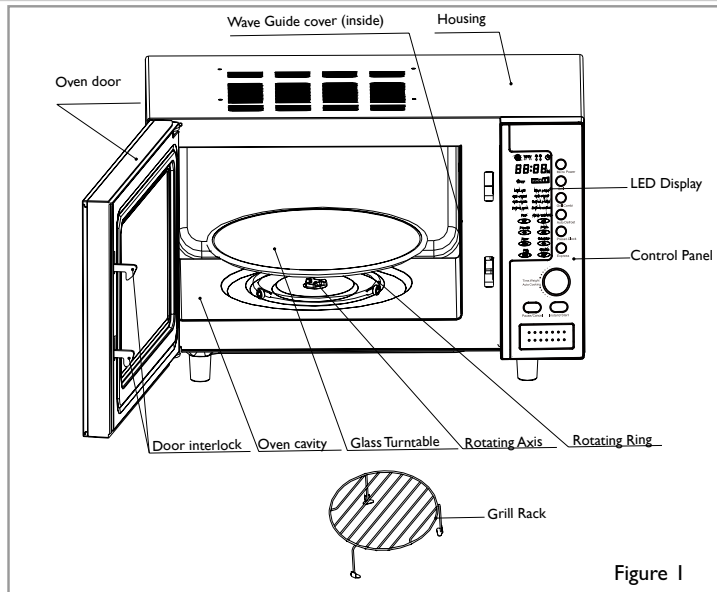
Section	Contents	Page No.
1.0	Technical Information	2
2.0	Oven	3
2.1	Accessories	3
3.0	Control Panel	4
4.0	Safety Precautions	6
5.0	Installing Your Microwave	7
6.0	Troubleshooting	9
7.0	Cookware Guide	10
8.0	Cleaning Your Microwave	10
9.0	Wiring Information	10

## 1.0 TECHNICAL INFORMATION

<b>Model</b>	<b>VT-25UGIG-I</b>
<b>Power Source</b>	220-240V/50Hz
<b>Input Power</b> Microwave Grill	1350W 1000W
<b>Output Power</b>	800W
<b>Dimensions (WxHxD)</b> Outside Oven cavity	509 x 320 x 385 348 x 222 x 336.5
<b>Volume</b>	25 litre
<b>Weight</b> Net	15.2 Kg approx

## 2.0 OVEN

GB IE



### Notes:

1. Door interlock system ensures the oven can only be activated when the door is properly closed.
2. Do not remove the wave guide cover during cleaning (see fig.2).
3. Glass turntable turns to make sure food is heated evenly.
4. Grill rack is used to grill food.
5. LED will show the clock time, cooking mode and left operation time, which depends on the set mode.

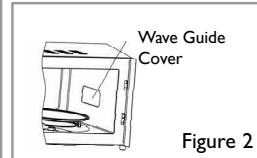
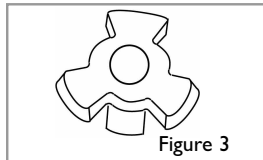


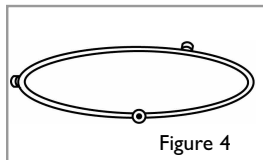
Figure 2

## 2.1 ACCESSORIES

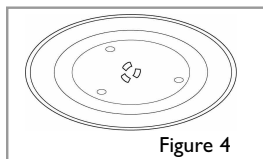
Depending on the model that you have purchased, you are supplied with several accessories that can be used in a variety of ways.



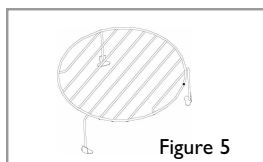
1. Coupler; already placed over the motor shaft in the base of the oven.  
**Purpose:** The coupler rotates the turntable.



2. Roller ring, to be placed in the centre of the oven.  
**Purpose:** The roller ring supports the turntable



3. Turntable, to be placed on the roller ring with the centre fitting to the coupler.  
**Purpose:** The turntable serves as the main cooking surface; it can be easily removed for cleaning.



4. Grill rack, to be placed on the turntable.  
**Purpose:** The grill rack serves as the grilling surface; it can be easily removed for cleaning.

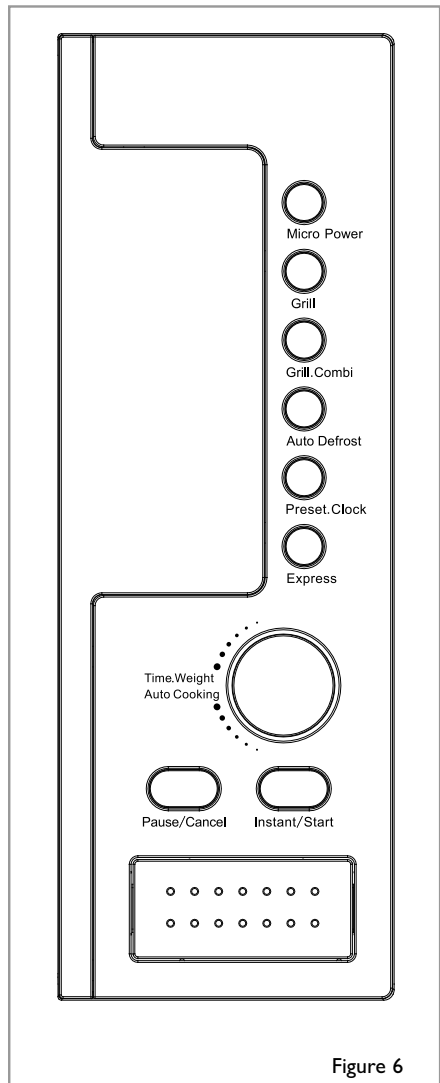


Figure 6

### 1. Before cooking

The LED panel flashes 3 times when plugged into a power supply. You will then see a “ : ” flashing, prompting you to input the cooking menu and time.

### 2. Time, Weight/Auto Cooking Knob

You can select auto cooking menu, increase or decrease cooking time and weight during operation by turning **Time, Weight/Auto Cooking knob**.

### 3. Pause/Cancel

At the initial stage: press **Pause/Cancel** button once to cancel input programmes and resume initial stage. During cooking: press **Pause/Cancel** button once to stop oven operation and twice to cancel cooking programmes.

### 4. Clock setting (24 hours)

#### Setting the clock

1. Press **Preset, Clock** button once.
2. Turn **Time, Weight/Auto Cooking** knob to set exact hours.
3. Press **Preset, Clock** button once again.
4. Turn **Time, Weight/Auto Cooking** knob to set exact minutes.
3. Press **Preset, Clock** button once again or wait for 5 seconds, and the number will gradually change.



### 5. Auto reminder

When your preset cooking procedure has finished, the LED display will show “End” and then three beeps sound to prompt you to take out the food. If you do not press **Pause/Cancel** or open the door then the three beeps will sound at an interval of 3 minutes.

### 6. Child lock function

Use this feature to lock the control panel when you are cleaning or so that children cannot use the microwave unsupervised. **You will not be able to use the buttons in this mode.** To set the child lock, press and hold **Pause/Cancel** button for about 3 seconds until the LED display shows a key symbol. To cancel the child lock, press and hold **Pause/Cancel** button for about 3 seconds until the key symbol disappears.

### 7. Microwave cooking

Press **Micro Power** button, LED display shows P100-P80-P60-P40-P20

P100-- High power, 100% microwave power. For quick and thorough cooking, such as meat and vegetables.

P80-- Medium High power, 80% microwave power. For medium express cooking, such as eggs, fish, rice and soup.

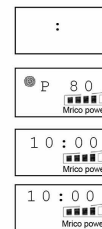
P60-- Medium power, 60% microwave power. For steaming foods.

P40-- Medium low power, 40% microwave power. For defrosting foods.

P20-- low power, 40% microwave power. For keeping foods warm.

Example: To cook at P80 for 10 minutes.

1. After power-up the colon flashes or press **Pause/Cancel** button once.
2. Select the desired microwave power by pressing **Micro Power** button.
3. Set cooking time by turning **Time, Weight/Auto Cooking** knob.
4. Press Instant/Start button to start, and the LED display will count down to showing the running time.



You can change the cooking time during cooking. It is recommended turning the food during cooking time. Press **Instant/Start** button once to continue cooking.

#### Please note:

- 1) The max time which can be set is 60 minutes.
- 2) Never use the grill rack during microwave cooking.
- 3) Never operate the oven empty.
- 4) If you turn the food during operation, press the Instant/Start button once and the preset cooking procedure will continue.
- 5) If you intend to remove the food before the preset time, you must press Press/Cancel button once to clear the preset procedure to avoid unintended operation of the next time use.

## 8. Express

Press **Express** button, the LED display to shows 0:30--1:00--1:30. This function will allow you to heat liquids easily. Choose the proper time depending the volume of the liquid.

0:30 --- default 30 seconds

1:00 --- default 1 minute operation time

1:30 --- default time is 1 and 30 seconds.

## 9. Grill

Press **Grill** button to select the light grill mode, which is for grilling meat such as sausages, steak & chicken.

Please note: It is not necessary to preheat when using the grill function.

## 10. Grill combi

Press **Grill combi** button to select either the **Grill combi 1 - Grill combi 2** or **Grill combi 3**

**Grill combi 1**---30% microwave cooking time while 70% grilling time.

**Grill combi 2**---55% microwave cooking time while 45% grilling time.

**Grill combi 3**---70% microwave cooking time while 30% grilling time.

### Warning

In the Grill combi mode, the microwave as well as the grill rack and cooking containers will become very hot. Caution when removing any item from the microwave oven. Use pot holders or oven mitts to prevent burns.

## 11. Auto Defrost

Press **Auto defrost** button, the LED display shows **D.1-D.2-D.3**

**D.1** For defrosting poultry between 0.2Kg to 3.0Kg.

**D.2** For defrosting meat between 0.1Kg to 2.0Kg.

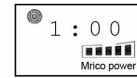
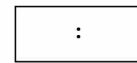
**D.3** For defrosting seafood between 0.1Kg to 0.9Kg.

1. It is necessary to turn over the food during defrosting, to ensure it defrosts evenly.

2. Defrosting food usually takes longer the cooking foods.

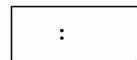
Example: To cook with express for 1 minute

1. After power-up, the colon flashes or press **Pause/Cancel** button once
2. Depress **Express** button consecutively to select desired menu
3. Start cooking by pressing **Instant/Start** button



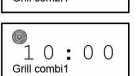
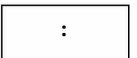
Example: To grill food with Light grill for 10 minutes

1. After power-up, the colon flashes or press **Pause/Cancel** button once
2. Select the desired cooking menu by pressing **Grill** button
3. Set cooking time by turning **TimeWeight/Auto Cooking** knob
4. Press **Instant/Start** button to start, and LED will count down to show running time.



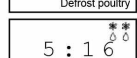
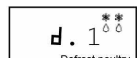
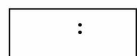
Example: To grill food with Grill combi1 for 10 minutes

1. After power-up, the colon flashes or press **Pause/Cancel** button once
2. Select the desired cooking menu by pressing **Grill Combi** button
3. Set cooking time by turning **Time.Weight/Auto Cooking** knob
4. Press **Instant/Start** button to start, and LED will count down to show running time.



Example:

1. After power-up, the colon flashes or press **Pause/Cancel** button once
2. Select the food kind by pressing **Auto Defrost** button
3. Set defrosting weight by turning the **Time.Weight/Auto Cooking** knob
4. Start cooking by pressing **Instant/Start** button. LED will count down to show running time.
5. Half way during defrosting 3 beep sound will be heard two times to prompt you turn over the food. Open the door and turn over the food and shield the warm portion. Press **Instant/Start** button again to continue the defrosting. If you do not when an audible signal sounds, the defrosting cycle will continue until the time count down to 0.



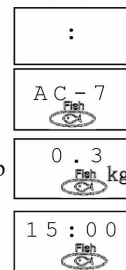
## 12. Auto cooking

The oven has a default cooking menu for simple operation. When the LED display flashes with a colon turn the **Time.Weight/Auto Cooking** knob, LED cycles to show **AC-1, AC-2, AC-3...AC-8**. Choose the menu according to the food type and weight of food.

Example:

1. After power-up, the colon flashes or press **Pause/Cancel** button once
2. Choose the appropriate menu by turning **Weight.Time/Auto Cooking** knob
3. Press **Instant/Start** button once to confirm
4. Turn **Weight.Time/Auto Cooking** knob to select the desired one among the given weight.
5. Start cooking by pressing **Instant/Start** button, and LED will count down to show running time.

Display



## 13. Automatic starting (delay function)

If you do not want the menu be started immediately, you can preset the cooking menu and time and the preset menu will be automatically started at your set time.

Example: Now it is 12:30 clock, if you want that the microwave oven to start automatically cooking with 100P microwave power for 9 minutes at 14:20

- |  | Display |  | Display |
|--|---------|--|---------|
| 1. Set the current time  |         | 2. Set the cooking menu and time   |         |
| 1.1 Press <b>Preset.Clock</b> button   |         | 2.1 Select cooking power by pressing <b>Micro Power</b> button   |         |
| 1.2 Turn <b>Time.Weight/Auto Cooking</b> knob to set hours, and hours will be flashed            |         | 2.2 Turn <b>Time.Weight/Auto Cooking</b> knob to set cooking time  |         |
| 1.3 Press <b>Preset.Clock</b> button again   |         | 2.3 To return to current clock., Hold <b>Preset.Clock</b> button for 3 seconds, then a short beep sound will be heard                      |         |
| 1.4 Turn <b>Time.Weight/Auto Cooking</b> knob to set minutes                                     |         | 3. Set the time you expect to start. Repeat the steps of 1.2, 1.3, 1.4   |         |
| 1.5 Press <b>Preset.Clock</b> button or waiting for 5 seconds, and the numbers will go steadily. |         | 4. Press <b>Preset.Clock</b> button to confirm the delayed menu. Now the program has been activated. And the menu will be started at 14:20 |         |
|  |         | 5. You may check the preset starting time by depressing <b>Preset.Clock</b> button   |         |

NOTES: Delay function is not applicable for express, auto cook and auto defrost.

## 14. Multi-sequence cooking

To obtain best cooking result, some recipes need to different amounts of time to cook.

Example: You want to cook food with 100P microwave for 3 minutes then light grill for 9 minutes. This is 2 sequences setting.

- |   | Display |   | Display |
|---|---------|---|---------|
| 1. 100P microwave for 3min  |         | 2. Light grill for 9min   |         |
| 1.1 Press <b>Micro Power</b> button to select desired menu        |         | 2.1 Press <b>Grill</b> button                                     |         |
| 1.2 Turn <b>Time.Weight/Auto Cooking</b> knob to set cooking time |         | 2.2 Turn <b>Time.Weight/Auto Cooking</b> knob to set cooking time |         |
|   |         | 3. Start cooking by pressing <b>Instant/Start</b> button          |         |

When 100P microwave power cooking is finished, microwave oven will begin light grill automatically.

Note: Max 4 sequences can be set per time by repeating step1 and step2 optionally if you like to set more.

### Important Safety Instructions.

Please read carefully and keep for future reference.

Before cooking food or liquids in your microwave oven, please check that the following safety precautions are taken.

1. DO NOT use any metallic cookware in the microwave oven:

- Metallic containers
- Dinnerware with gold or silver trimmings
- Skewers, forks, etc

Reason: Electric arcing or sparking may occur and may damage the oven.

2. DO NOT heat:

- Airtight or vacuum-sealed bottles, jars, containers, excludes baby food jars
- Airtight food, excludes eggs, nuts in shells and tomatoes

Reason: The increase in the pressure may cause them to explode

Tips: Remove lids and pierce skins, bags etc.

3. DO NOT operate the microwave oven when its empty.

Reason: The walls may be damaged

Tips: Leave a glass of water inside the oven at all times. The water will absorb the microwaves if you accidentally set the oven going when it is empty.

4. DO NOT cover the rear ventilation slots with cloth or paper.

Reason: The cloth or paper may catch fire as hot air is evacuated from the oven.

5. ALWAYS use oven gloves when removing a dish from the oven.

Reason: Some dishes absorb microwaves and heat is always transferred from the food to the dish. The dishes are therefore hot.

6. DO NOT touch heating elements or interior oven walls.

Reason: These walls may be hot enough to burn even after cooking has finished, even though they do not appear to be so. Do not allow inflammable materials to come into contact with any interior area of the oven. Let the oven cool down first.

7. To reduce the risk of the fire in the oven cavity.

- Do not store flammable materials in the oven.
- Remove wire twist ties from paper or plastic bags
- Do not use your microwave oven to dry newspapers
- If smoke is observed, keep the oven door closed and switch off or disconnect the oven from the power supply.

8. Take particular care when heating liquids and baby foods.

- ALWAYS allow a standing time of at least 20 seconds after the oven has been switched off so that the temperature can equalize.
- Stir during heating, if necessary, and ALWAYS stir after heating.
- Take care when handling the container after heating. You may burn yourself if the container is too hot.
- A risk of delayed eruptive boiling exists.
- To prevent delayed boiling and possible scalding, you should put a plastic spoon or glass stick into the beverages and stir before, during and after heating.

Reason: During the heating of liquids the boiling point can be delayed; this means that eruptive boiling can start after the container is removed from the oven. You may scald yourself.

- \* Immerse the scalded area in cold water for at least 10 minutes
- \* Cover with a clean, dry dressing
- \* Do not apply any creams, oils or lotions.

NEVER fill the container to the top and choose a container that is wider at the top than at the bottom to prevent the liquid from boiling over. Bottles with narrow necks may also explode if overheated.

ALWAYS check the temperature of the baby foods or milk before giving it to a baby.

9. Be careful not to damage the power cable.

- Do not immerse the power cable or plug in water and keep the power cable away from heated surfaces.
- Do not operate this appliance if it has a damaged power cable or plug.

10. Stand at arm's length from the oven when opening the door.

Reason: The hot air or steam released may cause scalding.

11. Keep the inside of the oven clean.

Reason: Food particles or spattered oils stuck to the oven walls or floor can cause paint damage and reduce the efficiency of the oven.

### Important Safety Instructions

During cooking, you should look into the oven from time to time when food is being heated or cooked in disposable containers of plastic, paper or other combustible materials.

### Important

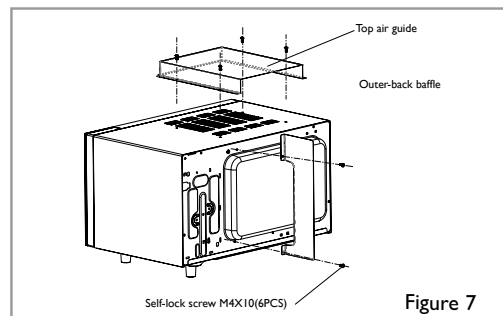
Young children should NEVER be allowed to use or play with the microwave oven. Nor should they be left unattended near the microwave oven when it is in use. Items of interest to children should not be stored or hidden just above the oven.

## 5.0 INSTALLING YOUR MICROWAVE

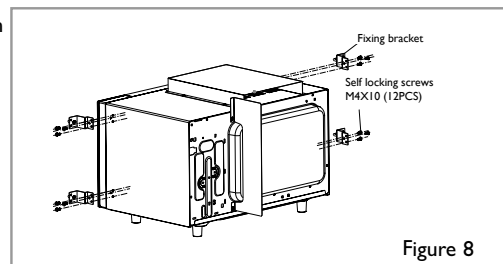
- 1) The position of the oven shall be such that it is far from the TV, Radio or arial as picture disturbance or noise may occur.
- 2) The appliance must be positioned so that the plug is accessible.
- 3) This appliance is designed to be integrated into a ventilated cabinet to the following specification.
  - Minimum cabinet depth of 550mm
  - Cabinet microwave shelf be between 18 and 20mm.

### Installation

a) Fix top air guide onto outer microwave housing and secure outer baffle with self locking screws. As shown in figure 7.



b) Secure fixing brackets onto each side of the microwave housing. As shown in figure 8.





c) Place the microwave into the cabinet cavity and secure the microwave in place with wood screws. As shown in figure 9.

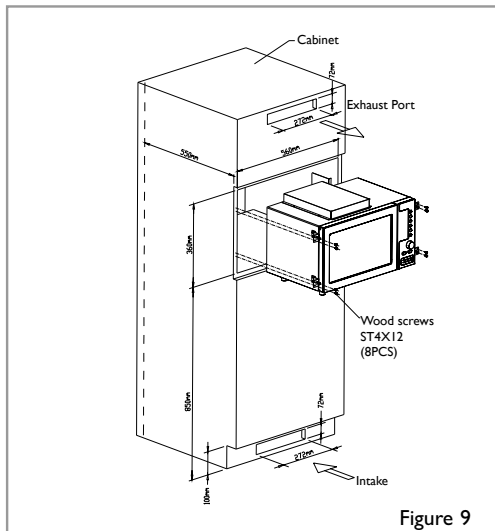


Figure 9

d) Secure the decorative frame into the fixing brackets, which have already been fixed in place on the microwave. As shown in figure 10.

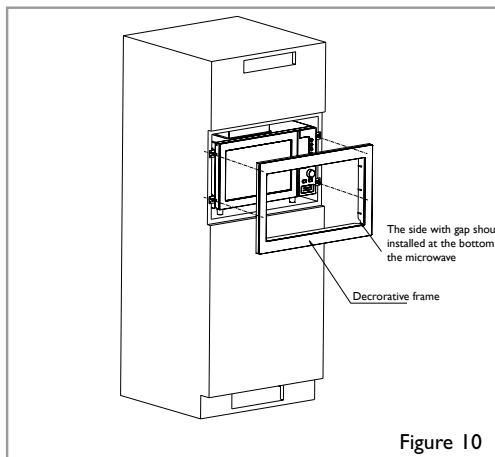


Figure 10

e) Integrated microwave installation completed.

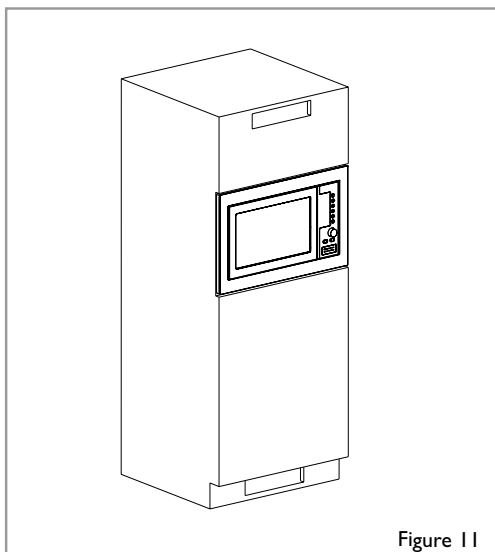


Figure 11

c) Cabinet airflow chart. As shown in figure 12.

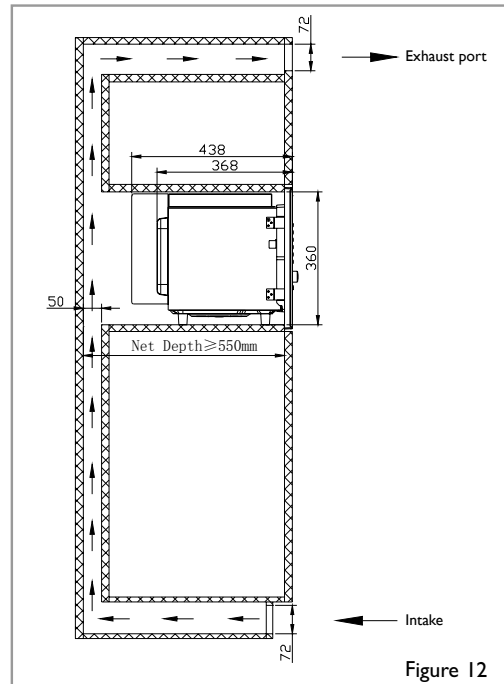


Figure 12

## 6.0 TROUBLESHOOTING

If you have any of the problems listed below try the solutions given

**This is normal.**

- Condensation inside the oven
- Light reflection around the door and outer casing
- Steam escaping from around the door or vents.

**The food is not cooked at all.**

- Have you set the timer correctly?
- Is the door closed?
- Have you overloaded the electric circuit and caused a fuse to blow or a breaker to be triggered?

**The food is either overcooked or undercooked.**

- Was the appropriate cooking length set for the type of food?
- Was an appropriate power level chosen?

**Sparking and cracking occur inside the oven (arcing).**

- Have you used a dish with metal trimmings?
- Have you left a fork or other metal utensils inside the oven?
- Is aluminium foil too close to the inside walls?

**The oven causes interference with radios or televisions.**

- Slight interference may be observed on televisions or radios when the oven is operating. This is normal. To solve this problem, install the microwave away from televisions, radios and aerials.

## 7.0 COOKWARE GUIDE

GB IE

It is strongly recommended to use containers which are suitable and safe for use in microwaves. Containers which are made of heat-resistant ceramic, glass or plastic and are suitable for microwave cooking. Never use metal containers as this can cause arcing and sparking.

Material of container	Microwave	Grill	Combi	Notes
Heat-resistant ceramic	Yes	No	No	Never use the ceramics which are decorated with a metal rim or glaze
Heat-resistant plastic	Yes	No	No	Can not be used in the microwave for long periods of cooking time
Heat-resistant glass	No	Yes	Yes	
Grill rack	No	Yes	Yes	
Plastic film	Yes	No	No	It should not be used when cooking meat as the temperature may cause damage to the film

## 8.0 CLEANING YOUR MICROWAVE

### Cleaning the microwave

The following parts of your microwave oven should be cleaned regularly to prevent grease and food particles from building up:

- Inside and outside surfaces
- Door and door seals
- Turntable and roller rings

**Always** ensure that the door seals are clean and the door closes properly.

1. Clean the outside surfaces with a soft cloth and warm, soapy water. Rinse and dry.
2. Remove any splashes or stains on the inside surfaces or on the roller ring with a soapy cloth. Rinse and dry.
3. To loosen hardened food particles and remove smells, place a cup of diluted lemon juice on the glass turntable and heat for ten minutes at maximum power.

**DO NOT** spill water in the vents. **NEVER** use any abrasive products or chemical solvents. Take particular care when cleaning the door seals to ensure that no particles:

- Accumulate
- Prevent the door from closing correctly

## 9.0 WIRING INFORMATION

### IMPORTANT NOTE:

The mains lead on this equipment is supplied with a moulded plug incorporating a fuse.

The value of the fuse is indicated on the pin face of the plug and, if it requires replacing, a fuse approved to BS1363 of the same rating must be used. Never use the plug with the fuse cover omitted if the cover is detachable. If a replacement fuse cover is required, it must be of the same colour as the pin face of the plug.

### Warning this appliance must be earthed:

This appliance must be earthed. In event of an electrical short circuit, earthing reduces the risk of the an electric shock providing an escape wire for the electrical current.



Waste electrical products should not be disposed of with household waste. Please recycle where facilities exist. Check with your local authority or retailer for recycling advice. As our policy is one of continuous improvement and development, we therefore hope that you will understand we must retain the right to amend details and/or specifications without prior notice.